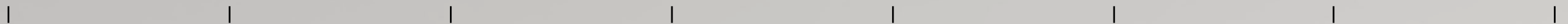


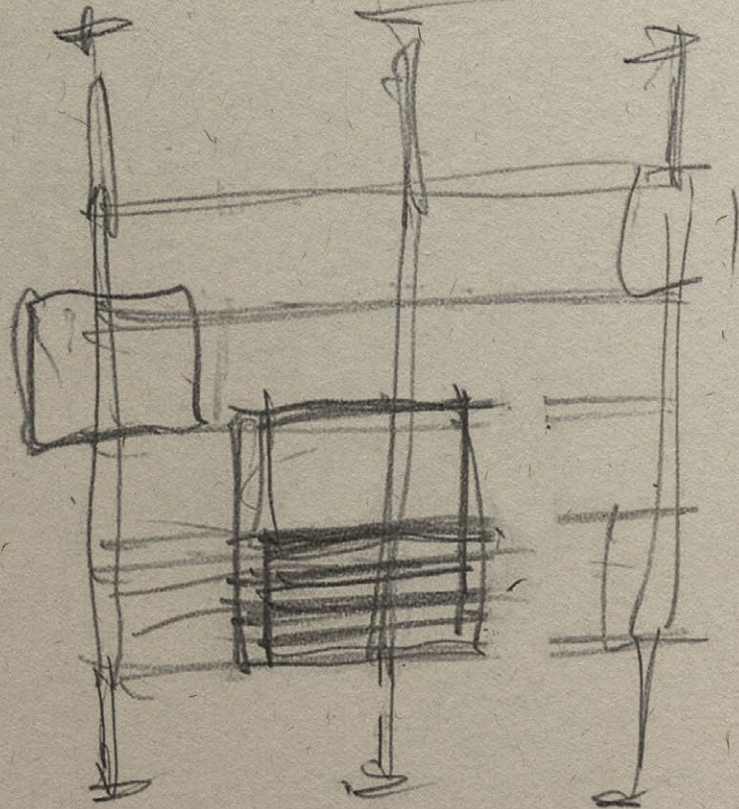
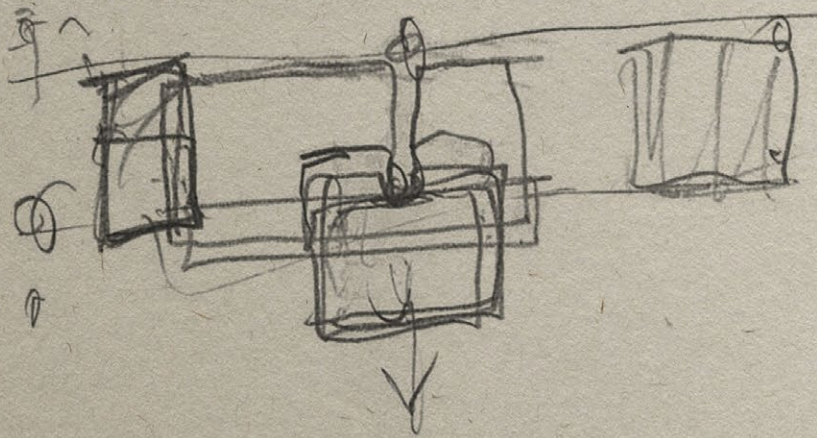
# INUMBRA

Shelving System

designed by  
**Michele De Lucchi**







"Inumbra is an architectural object of imposing presence. It responds to the fluidity of behaviors in an increasingly interconnected world, where the lines between private and public spaces are blurred and influencing each other."

— Michele De Lucchi



WE DESIGN AND CREATE QUALITY FURNITURE  
INSPIRED BY VIETNAMESE HERITAGE FOR  
MODERN-DAY LIVING.

Carefully crafted and delivered in high-quality standards, District Eight's defining signature comes from a commitment to elevating workmanship, refining aesthetic, and reframing functionality. Rooted in the passion to build and ever-improve, we continually strive for techniques and solutions that transform authentic ideas and materials into furniture pieces of distinguished values and character.

From the drawing desk to the production line, we seek to honor the tradition of dedicated craftsmanship in Vietnam through every considered detail, which propels our products from domestic to Asian, European and American markets. Since 2010, our products have become synonymous with Vietnam's creative energy, blending global insight with inspiring traditions.



featuring Ping Pong Table by District Eight



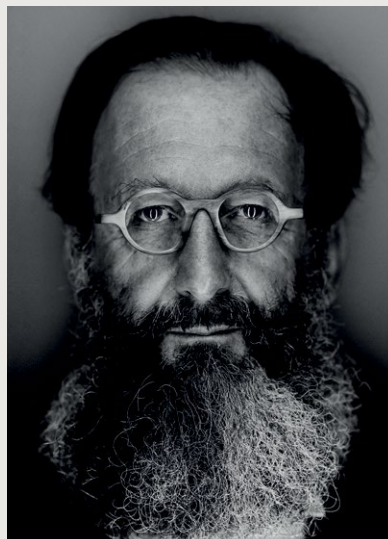
10.77 N 106.70 E



## DESIGNER PROFILE

### Architect MICHELE DE LUCCHI

Michele De Lucchi - an internationally renowned designer, architect and writer - has been one of the biggest names in architecture and Italian design scene since the 1970s. During the age of radical and experimental architecture, he was a prominent figure in movements like Cavart, Alchymia and Memphis.



After moving to Milan, he joined and designed for Alchymia Studio and in the eighties, he belonged to Memphis Milano, a group that designed postmodern furniture, lighting, fabrics, carpets, ceramics, glass and metal objects. During his time in the group, he was among the protagonists of the introduction of decorative geometric patterns on plastic laminate. With a vision for unexpected combinations of elements, materials, and technique, his furniture designs have been considered as icons of the era.

His creativity, inclination for experimentation and unceasing research have led Michele De Lucchi to design furnishing elements for major Italian and European brands. He is well known for having designed the global-bestselling Tolomeo lamp produced by Artemide in 1987, with which he was awarded the Compasso d'Oro award in 1989 and in 2001 for Olivetti's printer Artjet 10.

In his career, he developed numerous important architectural and hospitality projects in Italy and abroad including cultural, corporate, industrial and residential buildings such as the Triennale di Milano, the Palazzo delle Esposizioni in Rome, the Cini Foundation in Venice, the Neues Museum in Berlin and the Gallerie d'Italia in Milan.

At present, Michele De Lucchi is founder and member of AMDL CIRCLE, a creative multidisciplinary studio renowned for its humanistic architecture and design. Since 2018, AMDL CIRCLE focuses on Earth Stations, future sharing architectures that combine technological development with humanist principles.





Inumbra is a collaborative study resulting in reinvention between Michele De Lucchi and District Eight of modular components that build a shelving system. From sculptural stature to discreet details, Inumbra portrays the Italian architect and designer's renowned sensibility for norm-defying form, while highlighting District Eight's technical capability in pared-back utility and clarifying aesthetic.

The structural elements are as easily assembled as seamlessly adjustable to varying needs and taste. With unexpected rhythm and compositions, Inumbra poses a refreshing expression that casts new light on a long-standing staple.





“In District Eight, I recognize a design attitude that’s very typically Italian towards high quality products – the result of a perpetual curiosity towards technical possibilities, a deeply rooted humanistic sensibility and a strong innovative undertone.”

– Michele De Lucchi

Taking up as few pieces as possible, Inumbra rests on the floor but is fixed to the wall. Securely anchored thanks to a structural yet simple grid of posts, the shelves have zero visible screws once assembled. Any inherent joints are concealed with metal caps, giving the Inumbra shelving system a seamless and coherent look.





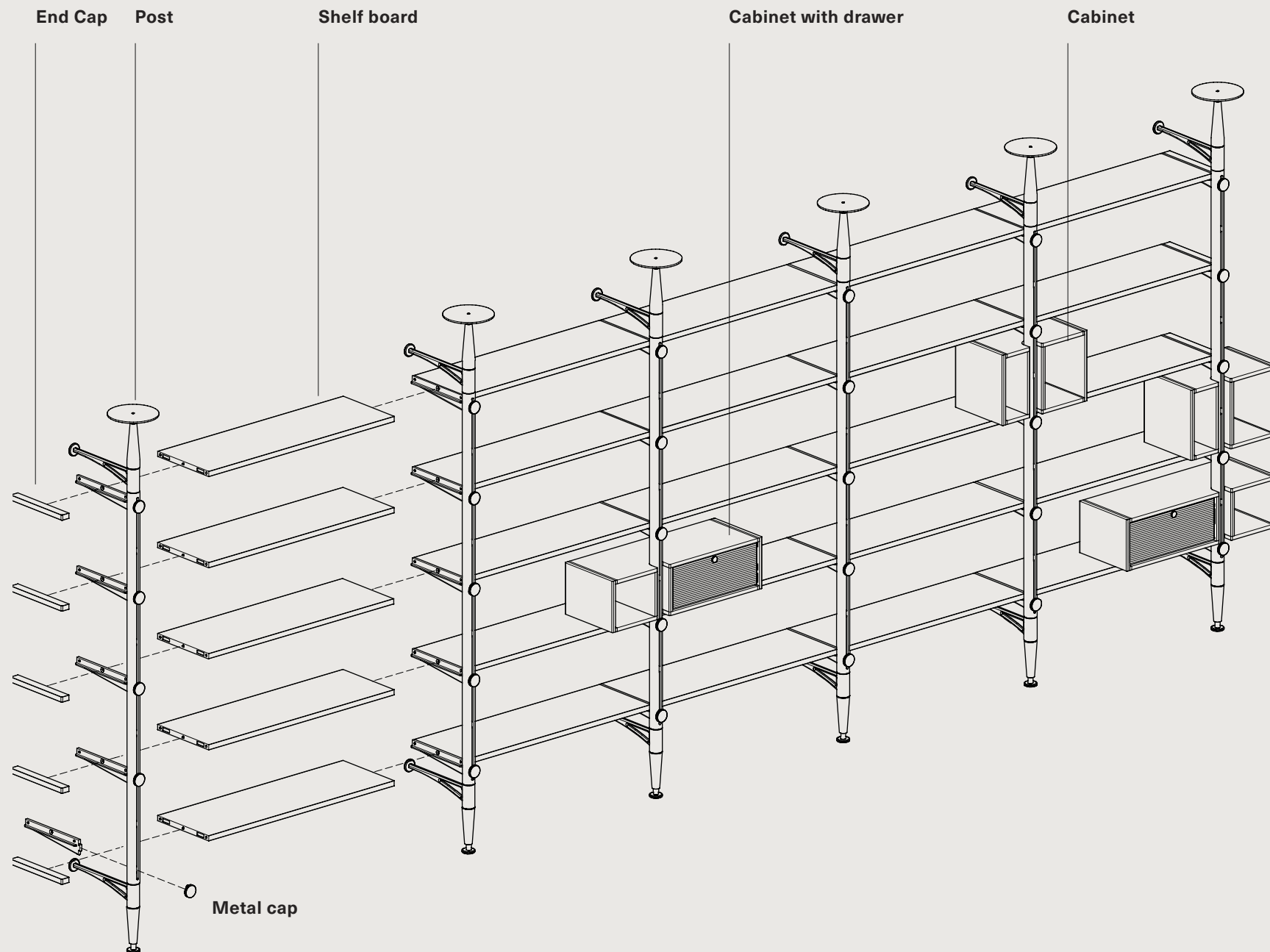
PROJECTING ELEMENTS



End-caps are designed with built-in magnets that allow easy attachment to shelves



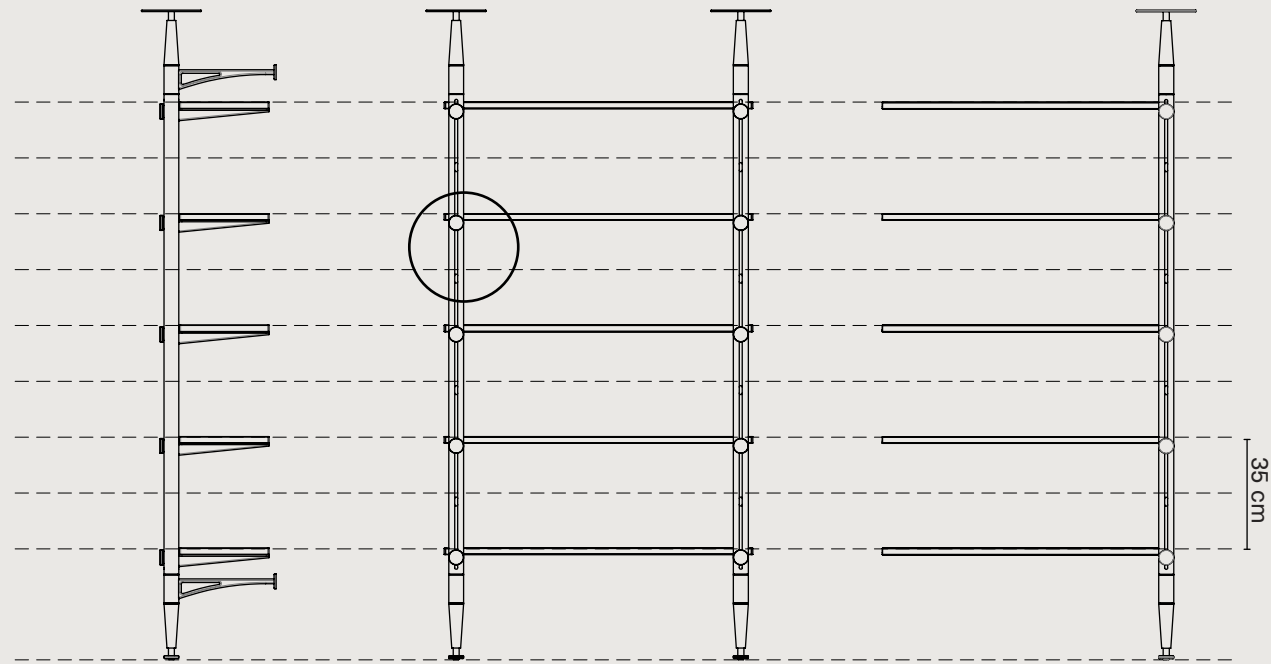
The post's footer can be adjusted up to 7mm



Shelf bracket set:  
Shelf bracket + Metal cap

Inumbra can be configured to specific needs. From variable width and height to positional cabinets, units can be added over time. It is precisely the multiple combinations and different positions of the elements on the structure that give it an unexpected rhythm, while still maintaining a motif of linearity and utilitarian usage.





**Standard Medium**  
M3007-M

115W 45D 220H cm

included 5 shelves  
/ 2 posts with end-caps  
/ 10 shelf-bracket sets

**Extension Medium**  
M3007-EX-M

115W 45D 220H cm

included 5 shelves  
/ 1 post without end-caps  
/ 5 shelf-bracket sets

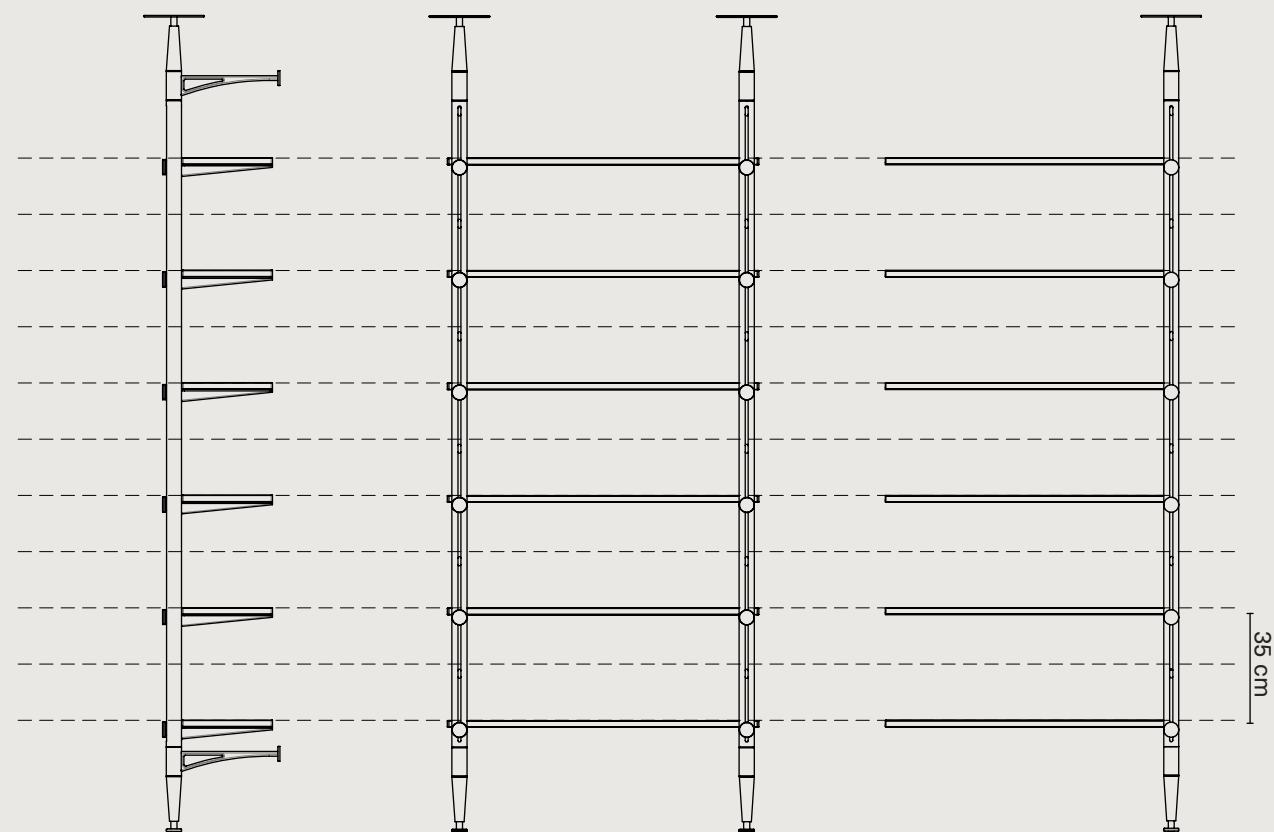
The post's bracket slots allow flexible spacing between shelves. Inumbra can accommodate a wide range of displays, including books and folders, objects and rarities, among many other collections.











**Standard Large**  
M3007-L

115W 45D 270H cm

included 6 shelves  
/ 2 posts with end-caps  
/ 12 shelf-bracket sets

**Extension Large**  
M3007-EX-L

115W 45D 270H cm

included 6 shelves  
/ 1 post without end-caps  
/ 6 shelf-bracket sets

The Large version is designed to accommodate more spacious living spaces without compromising on the signature minimal linear design.





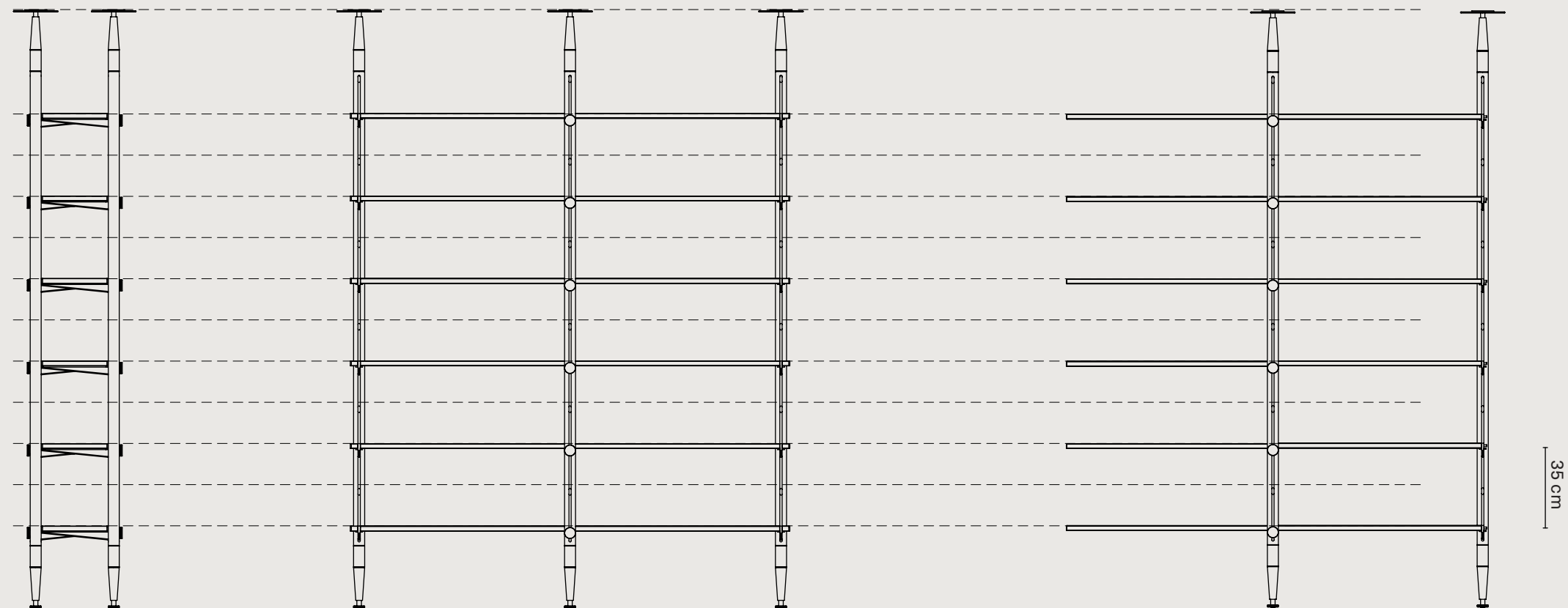








**INUMBRA FLOOR TO CEILING SHELVING SYSTEM**



**Floor to ceiling - Standard**  
M3009-H

**210W 55D 270-320H cm**

included 12 shelves  
/ 3 posts with end-caps  
/ 18 shelf-bracket sets

**Floor to ceiling - Extension**  
M3009-EX-H

**190W 55D 270-320H cm**

included 12 shelves  
/ 2 posts without end-caps  
/ 12 shelf-bracket sets

The adapter component to create different heights of Inumbra Floor to ceiling config

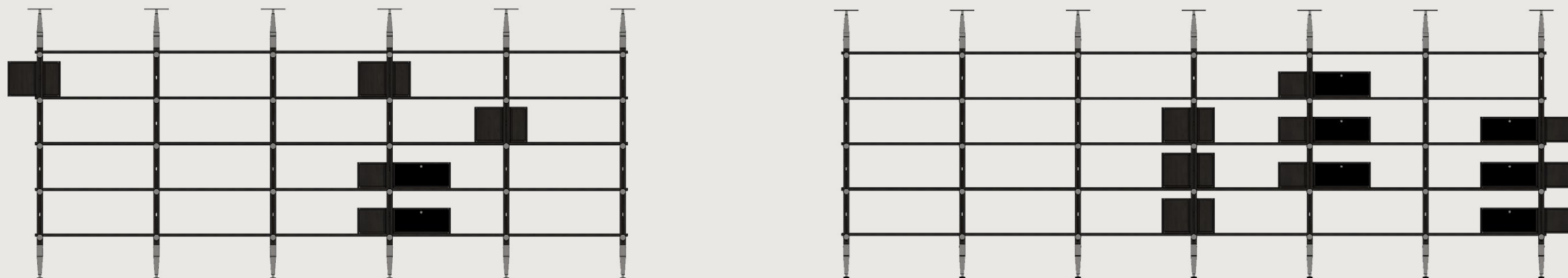
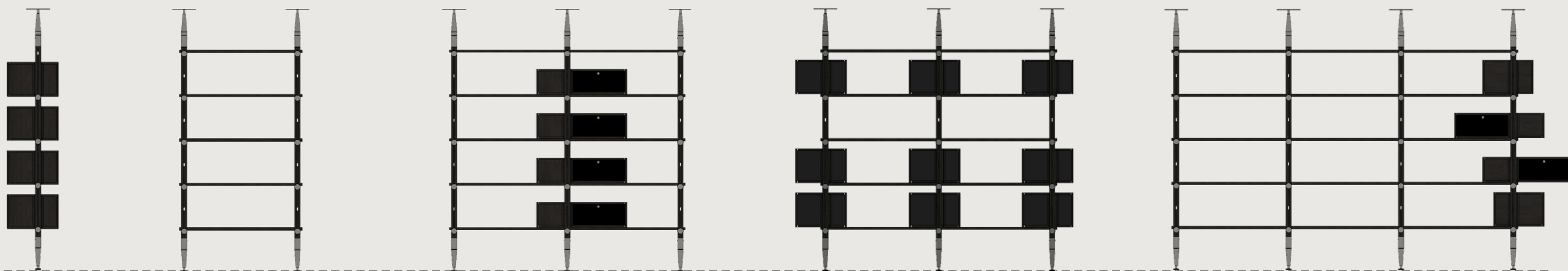
Models	Height
M3009-H1 / M3009-EX-H1	H270
M3009-H2 / M3009-EX-H2	H280
M3009-H3 / M3009-EX-H3	H290
M3009-H4 / M3009-EX-H4	H300
M3009-H5 / M3009-EX-H5	H320

Fully free-standing and fixed to the ceiling, Inumbra Floor to ceiling offers an extraordinary creating versatility and can be used from either side, both as a bookcase or display unit for objects of various kinds.











MATERIAL FEATURES

Materials and finishes are available to select from our standard index. Presented here are recommended variants.

1

2

3

4

Smoked Oak

Antique Brass

Ebonized Oak

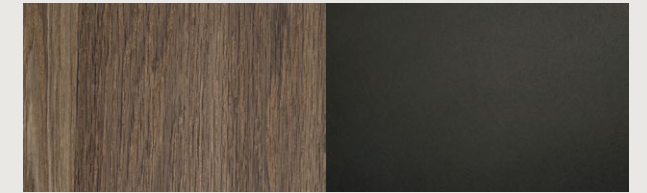
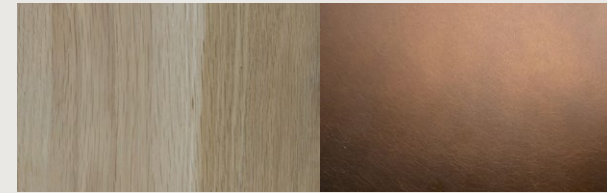
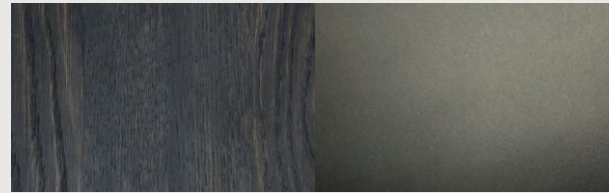
Antique Nickel

Raw Oak

Antique Copper

Dry Smoked Oak

Blackened Steel













STYLE INDEX

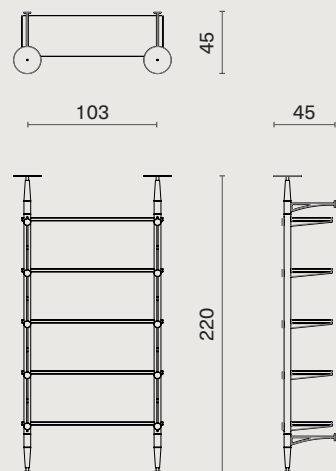
metric unit: cm

The drawings refer to the compositions as shown in the pictures. For further information on availability on sizes, we kindly ask you to get in touch with our sales team.

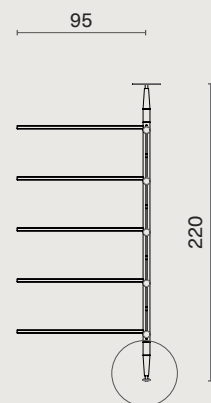
INUMBRA COLLECTION

Designed by  
Michele De Lucchi

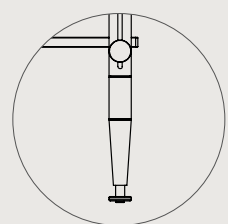
Standard Medium  
M3007-M



Extension Medium  
M3007-EX-M



Max. load for shelf: 50kg

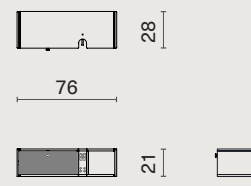


The post's footer can be adjusted up to 7mm

Inumbra Cabinet  
M3007-CA

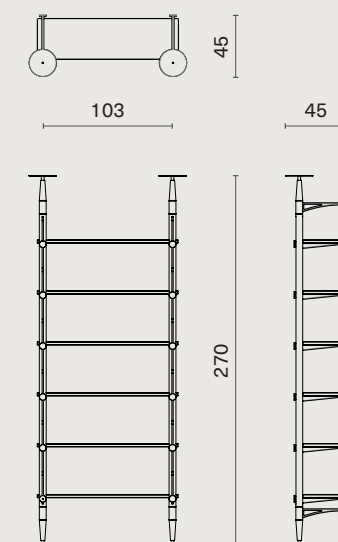


Inumbra Cabinet with Drawer  
M3007-DR

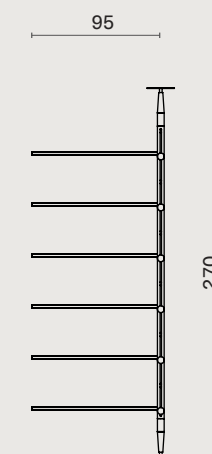


Both cabinets can be displayed to different orientation by rotating the cabinet and changing the hook position. Cabinet and cabinet with drawer are reversible and fixed to any desired place on the shelving system.

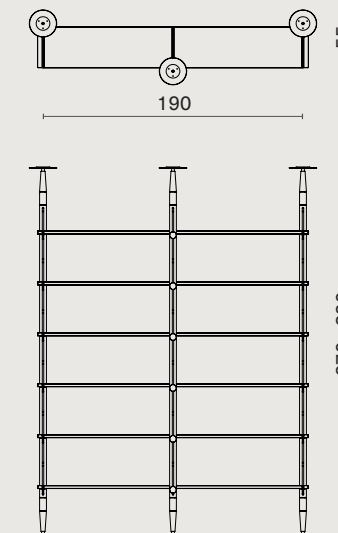
Standard Large  
M3007-L



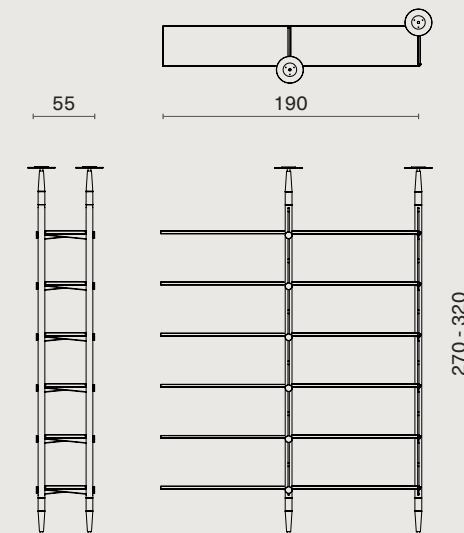
Extension Large  
M3007-EX-L



Floor to ceiling - Standard  
M3009-H



Floor to ceiling - Extension  
M3009-EX-H



Adapter component to create different heights of Inumbra Floor to ceiling config:

M3009-H1 / M3009-EX-H1	H270
M3009-H2 / M3009-EX-H2	H280
M3009-H3 / M3009-EX-H3	H290
M3009-H4 / M3009-EX-H4	H300
M3009-H5 / M3009-EX-H5	H320



**INUMBRA COLLECTION**

Designed by  
Michele De Lucchi

**RECOMMENDED SETS**

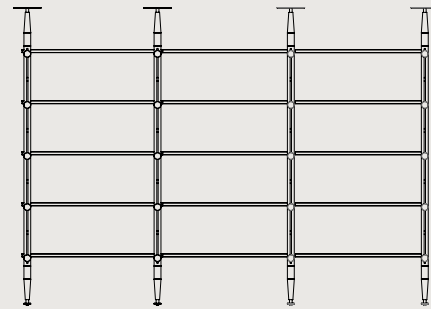
**SET 1 - Single Post**



- |                                  |    |
|----------------------------------|----|
| M3007-CP                         | x1 |
| M3007-CA                         | x4 |
| (Inumbra Shelf Bracket) M3007-SB | x4 |

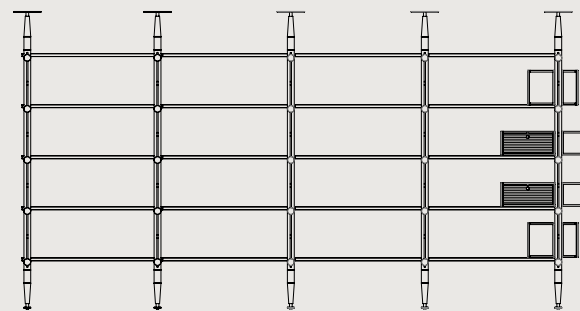
*Max. load: 5 kg / each Cabinet*  
*This Single Post config will ONLY go with Inumbra Cabinet M3007-CA and be constructed based on M3007-M post.*

**SET 2 - Wall Shelving System / Medium**



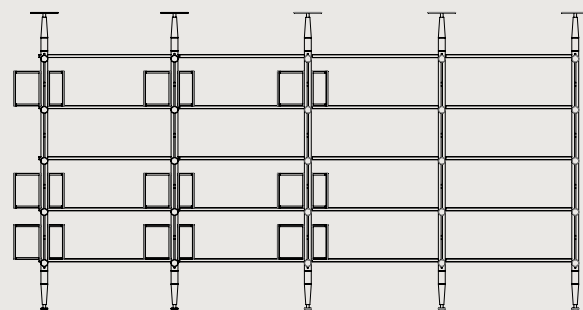
- |            |    |
|------------|----|
| M3007-M    | x1 |
| M3007-EX-M | x2 |

**SET 3 - Wall Shelving System / Medium with Cabinets**



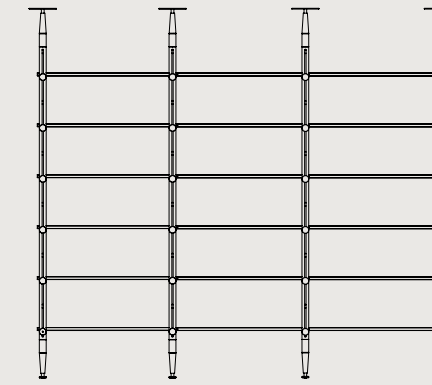
- |            |    |
|------------|----|
| M3007-M    | x1 |
| M3007-EX-M | x3 |
| M3007-DR   | x2 |
| M3007-CA   | x2 |

**SET 4 - Wall Shelving System / Medium with Cabinets**



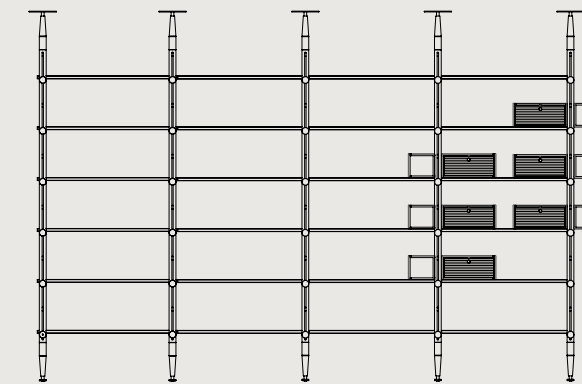
- |            |    |
|------------|----|
| M3007-M    | x1 |
| M3007-EX-M | x3 |
| M3007-CA   | x6 |

**SET 5 - Wall Shelving System / Large**



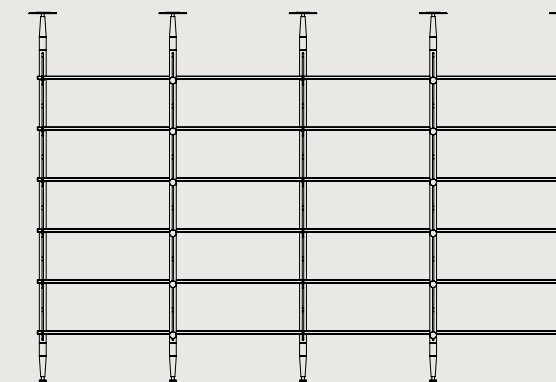
- |            |    |
|------------|----|
| M3007-L    | x1 |
| M3007-EX-L | x2 |

**SET 6 - Wall Shelving System / Large with Cabinets**



- |            |    |
|------------|----|
| M3007-L    | x1 |
| M3007-EX-L | x2 |
| M3007-DR   | x6 |

**SET 7 - Floor to Ceiling Shelving System**



- |            |    |
|------------|----|
| M3009-H    | x1 |
| M3009-EX-H | x1 |





### Crafted From Ideas

The inspiration of District Eight often comes from pre-contemporary architecture, as it appears that until the middle of 20<sup>th</sup> century, furniture and objects were designed with a sense of purpose by architects themselves, rather than being mere disposable decoration.

### Made, Manufactured, Crafted.

The ethos of District Eight design and production was established early on. Our products are made to be used reliably and to be durable through wear and tear, just like industrial tools or workwear would. This level of quality can only be achieved with the right balance of machinery and crafty hands.

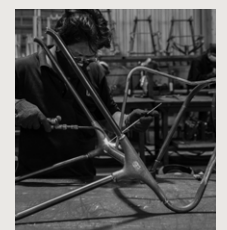
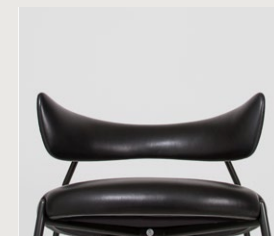
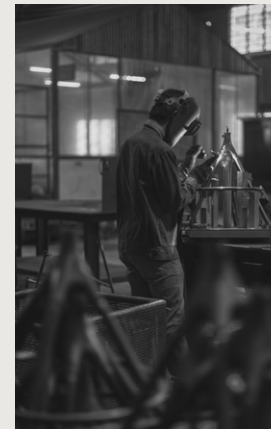
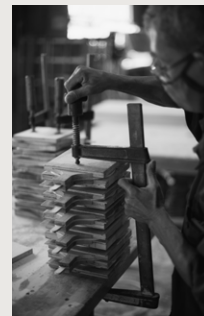
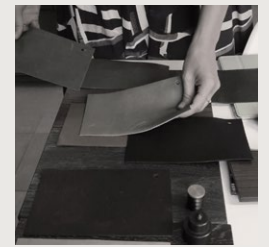
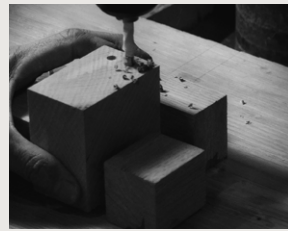
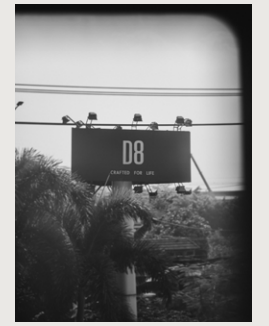
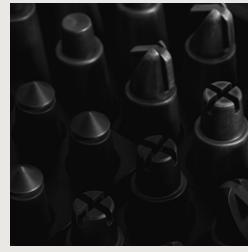
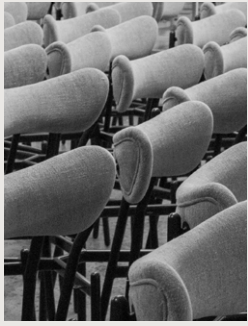


### Craft As Past, Present & Future

Our spaces are conceived to convey subtle elements of lifestyle. By working with rich textures, tonal color schemes, and curated artworks, District Eight aims at offering a unique experience, about craft and livability.

As the creative industries and the local environment evolve, District Eight has also made strides into new creative expressions and crafts. The “Crafted For Life” approach is developed especially for contemporary spaces, where private and public norms are converging.







CRAFTED FOR LIFE.



DISTRICT EIGHT DESIGN OFFICE /  
SHOWROOM / FACTORY

E4/52, 1A Highway, Binh Tri Dong B Ward,  
Binh Tan District,  
Ho Chi Minh City, Vietnam.

(+84) 28 38 170 311

(+84) 28 38 170 312

Sales, projects, technical requests:  
[info@districteight.com](mailto:info@districteight.com)

[www.districteight.com](http://www.districteight.com)